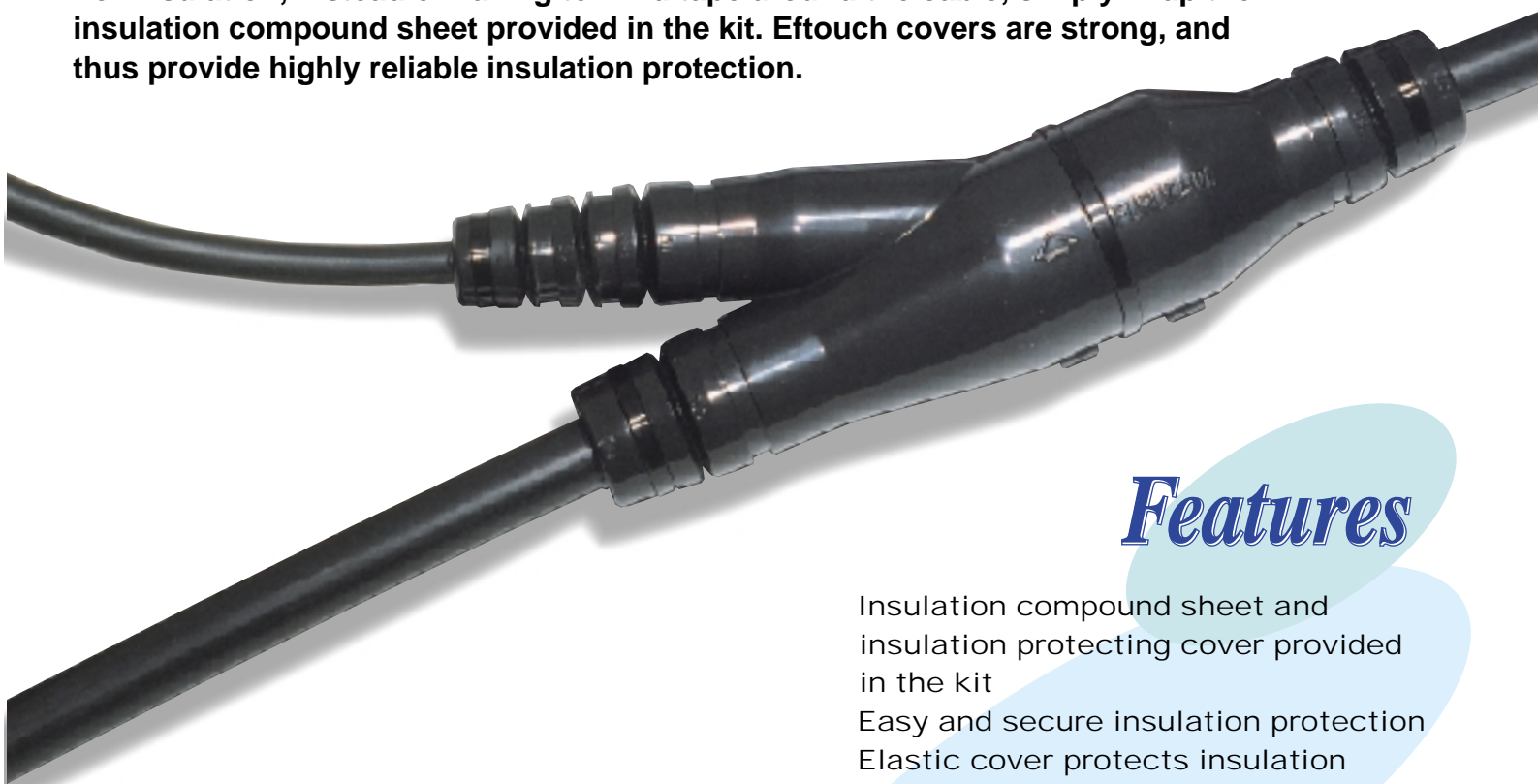


Cables can be connected easily and securely Highly Reliable Insulation Protecting Material

The number of major power lines in use has grown dramatically. With the demand for on-site cable joints increasing, the environmental constraints for cable laying have grown tougher. Eftouch Covers provide compact, yet reliable and easy-to-use, on-site insulation protection for cable joints.

For insulation, instead of having to wind tape around the cable, simply wrap the insulation compound sheet provided in the kit. Eftouch covers are strong, and thus provide highly reliable insulation protection.



Features

- Insulation compound sheet and insulation protecting cover provided in the kit
- Easy and secure insulation protection
- Elastic cover protects insulation
- Improved ease of connection work and stable joints
- Water-resistant
- Conforms with JIS C 0920 protection level three (rain proof)

Kit Contents

No connector included in the kit

Parts	Amount (one set for each phase)	
	Straight Joint	Branch Joint
Protection Cover	1 piece	1 piece
Binding Band	3 pieces	4 pieces
Insulation Compound Sheet	1 sheet	1 sheet

Straight Joint



Branch Joint



ely using Eftouch covers.

rial

Application

Straight joint and branch joint covers can be used for low-voltage cables in office buildings, large-scale condominiums, hotels, factories, schools, and the like.

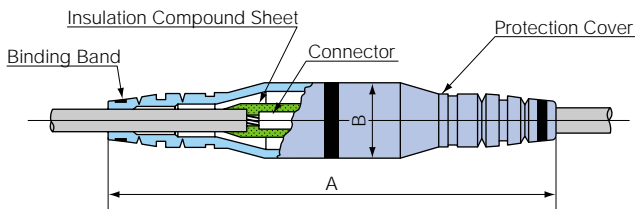
Applicable to : Low-voltage XLPE cables (Single-core, Duplex, Triplex, Quadruplex)

CAUTION : Do not use Eftouch Covers for connecting emergency power-supply wires (fireproof wires, etc.). Do not use Eftouch Covers underwater. If it is necessary to use Eftouch Covers in shafts with gas pipes, where explosion-proof characteristics are required, please contact us.



Dimensions and Selection

Straight Joint



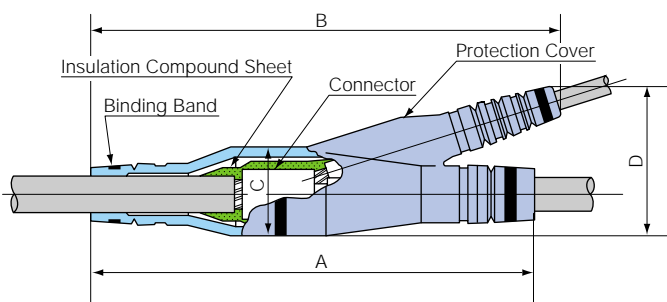
Type	Size of Conductor (mm ²)	Dimensions (mm)	
		A	B
NJ-0	22/38/60	236	42
NJ-1	150 under	230	60
NJ-2	325 under	260	78

Other sizes are available. Please contact us.

Notes:

- 1) A is the maximum dimension.
- 2) The size is shown near the outlet of the cable.
- 3) Cut the cover at the size indication that matches the cable size.
- 4) NJ-1 and NJ-2 have slightly different shapes from the above.

Branch Joint



Type	Size of Conductor (mm ²)		Dimensions (mm)			
	Main	Branch	A	B	C	D
YJ-SS	22/38/60	14/22/38	255	240	48	82
YJ-S	100/150	14/22/38/60	235	250	56	95
YJ-1	200	22/38/60	205	223	61	96
YJ-2	250	60/100/150	220	246	71	110
YJ-3	325	100/150/200 250/325	280	310	86	123

Other sizes are available. Please contact us.

Notes:

- 1) A, B, and D are the maximum dimensions.
- 2) The size is shown near the outlet of the cable.
- 3) Cut the cover at the size indication that matches the cable size.
- 4) YJ-1, YJ-2, and YJ-3 have slightly different shapes from those indicated in the above diagram.

**No connectors are included in this kit.
See the following tables to select the appropriate type of connector.**

Type C 「Connectors for Branch Joints」

Nominal	Total Size of Conductor (mm ²)	Nominal	Total Size of Conductor (mm ²)
44	27 ~ 44	240	191 ~ 240
60	45 ~ 60	288	241 ~ 288
76	61 ~ 76	365	289 ~ 365
98	77 ~ 98	450	366 ~ 450
122	99 ~ 122	560	451 ~ 560
154	123 ~ 154	700	561 ~ 700
190	155 ~ 190		

Splicing Type-B 「Connectors for Straight Joints」

Nominal	Size of Conductor (mm ²)
22	22
38	38
60	60
100	100
150*	150
200*	200
325*	250 ~ 325

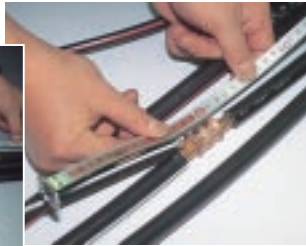
(JISC2806)

Note : For information on other connectors, please contact us.

* : Not standardized

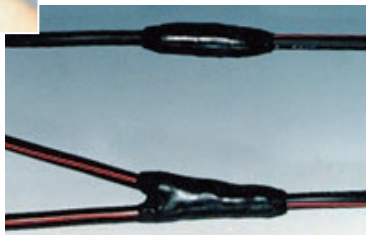
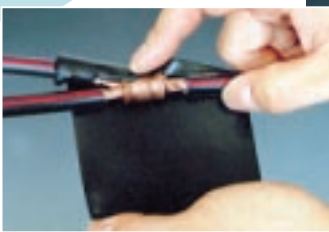
INSTRUCTIONS

1. Cable Connection



- Adjust the connection position of each phase according to the length of the covers, as shown in the picture, so that the covers will not interfere with each other.
- To ensure a strong bonding area, do not remove the sheath and insulator at the connector by more than the length of the connector plus 20mm.

2. Insulation Compound Sheet



- Position the connector on the insulation compound sheet and press the sheet end against the connector and the cable sheath. Stretch the sheet and wrap it around the connector.
- After wrapping, press all ends of the insulation compound sheet to ensure good adhesion. When using a branch joint, press the insulation compound sheet carefully against the crotch to ensure good adhesion. Make sure the area to be overlaid is completely covered by the insulation compound sheet.

3. Cover



- Cut the cover at the V-groove near the size indication that matches the cable size.
- Make sure the cable connection is straight, and mount the cover.
- Note : No temporary fixing mechanism is incorporated into NJ-1, NJ-2, YJ-1, YJ-2, or YJ-3.
- Tie the cover with binding bands at the center of the cover and the cable outlet.

4. Completion



CAUTION : READ THE INSTRUCTION MANUAL BEFORE BEGINNING THE WORK.



- Incorrect use of Eftouch Covers may lower the quality of insulation.



FURUKAWA ELECTRIC CO., LTD.

Head Office

6-1, Marunouchi 2-chome, Chiyoda-ku,
Tokyo, 100-8322, Japan
Telephone : 81-3-3286-3218
Fax : 81-3-3286-3747

CHINA Representative Office

2309, China World Tower No.1,
Jian Guo Men Wai Avenue, Beijing 100004,
China
Telephone : 86-10-6505-4608
Fax : 86-10-6505-4609

NORTH AMERICA Representative Office

900 Lafayette Street, Suite 509, Santa Clara,
CA 95050, U.S.A.
Telephone : 1-408-248-4884
Fax : 1-408-249-3094

EUROPE Representative Office

1st Floor, 81 Cromwell Road,
London SW7 5BW, U.K.
Telephone : 44-171-341-9100
Fax : 44-171-370-3295

Shanghai Representative Office

Room 24G, Jiu Shi Fu Xing Mansion
No.918,
Huai Hai Zhong Road, Shanghai 200020,
China
Telephone : 86-21-64159072
Fax : 86-21-64157549

SOUTH AMERICA Representative Office

Rua Afonso Bras, 413 Caixa Postal,
176 Vila Nova Conceicao, Cep 04511-900,
São Paulo, S.P., Brazil
Telephone : 55-11-828-4725
Fax : 55-11-828-4848

ASIA Representative Office

10 Anson Road, #20-11, International Plaza,
Singapore 079903
Telephone : 65-225-7149
Fax : 65-227-5125

HONG KONG Representative Office

1910, Fortress Tower 250, King's Road,
North Point, Hong Kong
Telephone : 852-2512-8938
Fax : 852-2512-9717