

Compact PLC Splitter PS202-1×8, 16, 32, 64

PS202 is the compact 1×N optical splitter using PLC (Planar Lightwave Circuit) and suitable for installation in optical equipments. PS202 is the best choice for constructing passive optical networks.

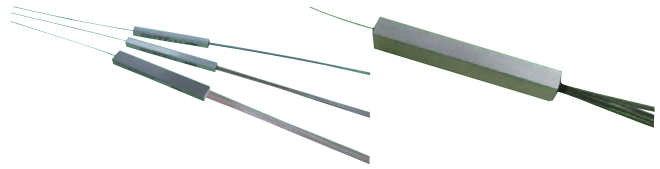
- Video signals distribution in optical CATV
- Usable for PON (Passive Optical Network)
- Signal-distribution using optical AMP

Specification

Item	Specification			
Configuration	1×8	1×16	1×32	1×64
Operating wavelength (nm)	1260 ~ 1360/1480 ~ 1580			
Standard				
Insertion loss (dB) ^{*1}	≤ 11.0	≤ 14.5	≤ 17.8	≤ 21.0
Uniformity (dB) ^{*1}	≤ 1.0	≤ 1.5	≤ 2.0	≤ 2.5
Premium				
Insertion loss (dB) ^{*1}	≤ 10.4	≤ 13.8	≤ 16.8	—
Uniformity (dB) ^{*1}	≤ 0.8	≤ 1.3	≤ 1.5	—
Common specification				
PDL (dB)	≤ 0.3			≤ 0.4
Return loss (dB) ^{*1}	≥ 50			
Directivity (dB) ^{*1}	≥ 50			
Fiber type (mm)	φ 0.25 single-mode fiber			
Operating temperature (°C)	-40 to +75			
Storage temperature (°C)	-40 to +85			
Dimensions (W×D×L mm)	3.9×3.9×41.5	3.9×3.9×50	7.0×4.0×52	12.5×7.0×65
Output fiber ribbon	2×4-fiber	2×8-fiber	4×8-fiber	8×8-fiber

*1 Not including connectors in all specifications

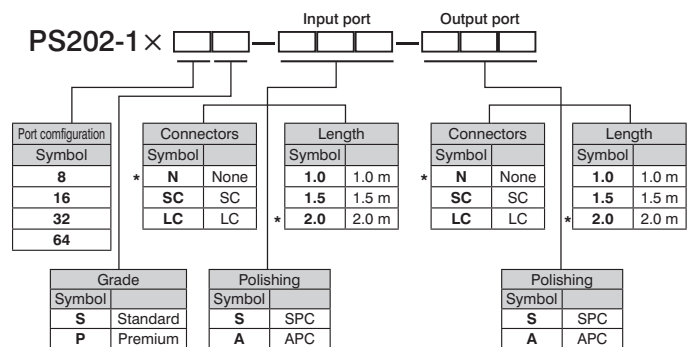
* Available connector upon customer request



Features and Benefits

- Low insertion loss
- Compact packaging size. Suitable for installation in a splicing closure (Almost the same as protection sleeve for fusion splicing in PS202-1×8 and 1×16)
- High reliability (Telcordia GR-1209, GR-1221 qualified)

Ordering Information



*Standard type: PS202-1×[] [] -N2.0-N2.0
*1×64 is standard only

Compact PLC Splitter PS202-2×1×8

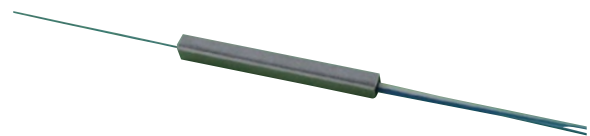
PS202-2×1×8 is the compact size optical splitter, which is capable to distribute a pair of video and data signals. This product is preferable for the construction of PON (Passive Optical Network), and it realizes easier installation and higher-density packaging in a closure.

Specification

Item	Specification
Configuration	2×(1×8)
Operating wavelength (nm)	1260 ~ 1360/1480 ~ 1580
Insertion loss (dB)	≤ 11.0
Uniformity (dB)	≤ 1.0
PDL (dB p-p)	≤ 0.3
Return loss (dB)	≥ 50
Directivity (dB)	≥ 50
Fiber type (mm)	φ 0.25 single-mode fiber
Operating temperature (°C)	-40 to +75
Storage temperature (°C)	-40 to +85
Dimensions (W×D×L mm)	3.9×3.9×41.5

* Not including connectors in all specifications

* Available connector upon customer request



Features and Benefits

- Efficient for installation in a splicing closure
- Compact size (Same as 1×8 splitter in dimensions of package)
- High reliability

Installation

