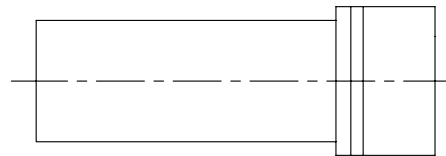
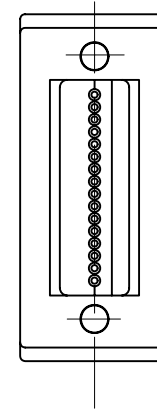
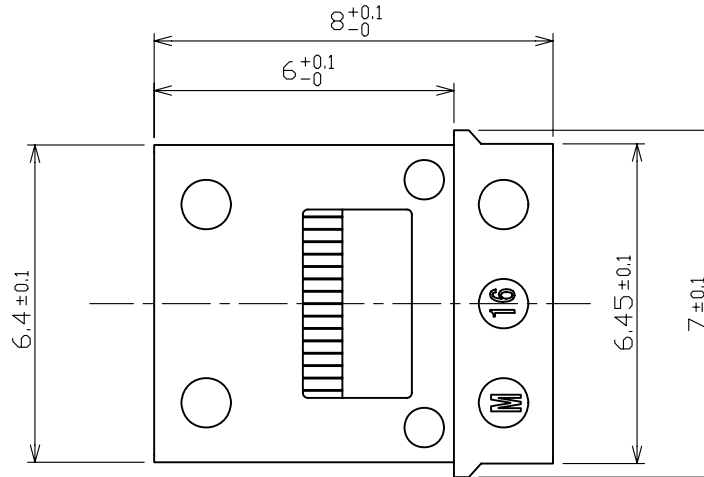
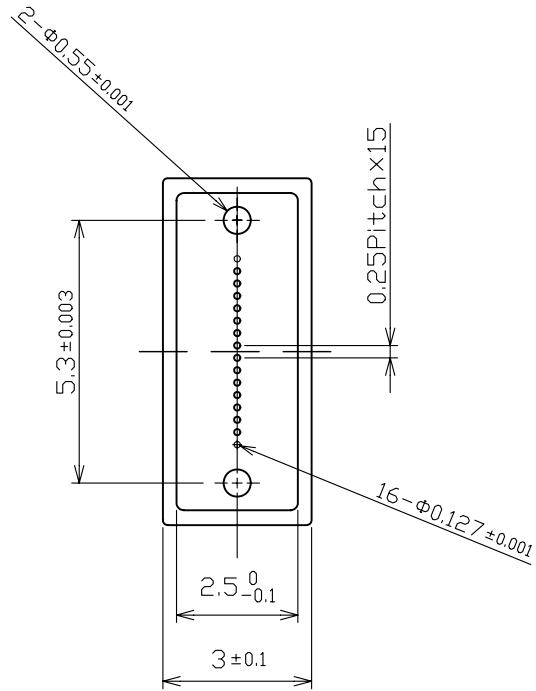


SUBJECT TO MINOR CHANGE WITHOUT AFFECTING THE PERFORMANCE OF THE ITEM

REF.NO.

OPC-16028B



Unit:mm  
Not to scale

1	Ferrule	Plastic	1
No.	Description	Material	Q'ty
TITLE			
MT16 MM Ferrule			