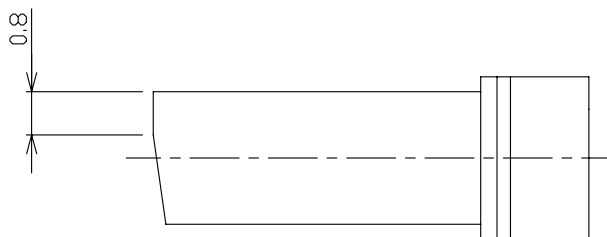
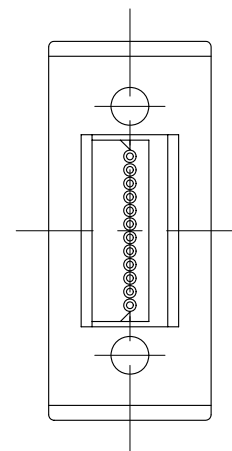
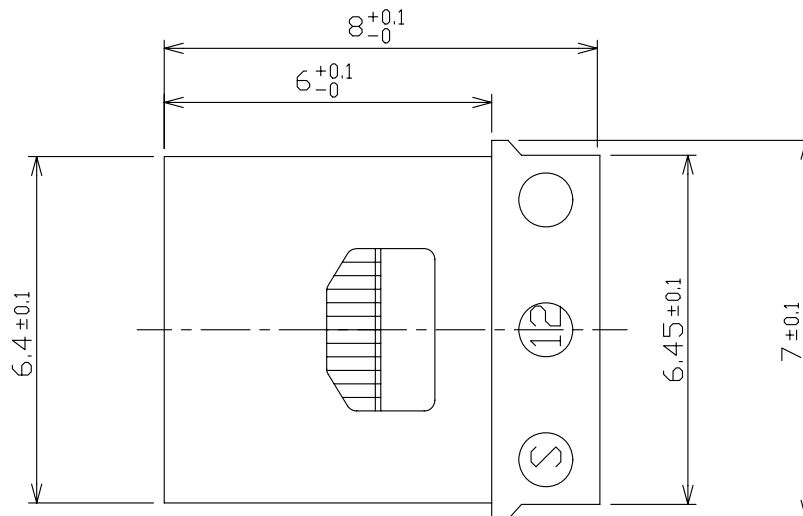
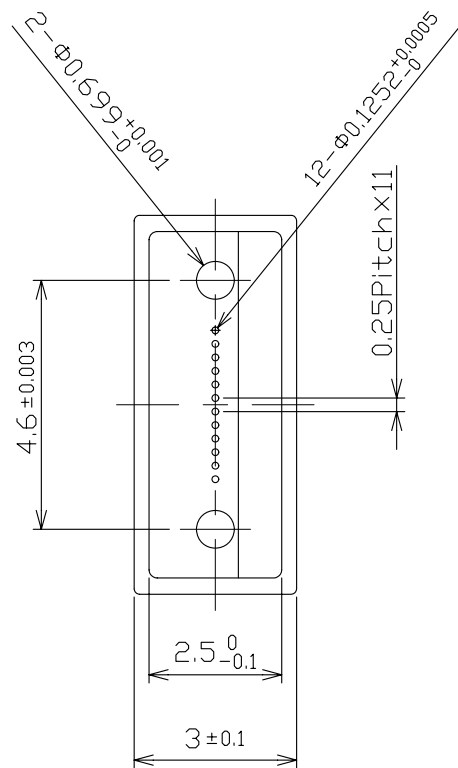


REF.NO. OPC-19017C



Unit:mm
Not to scale

Note:
For proper performance of MT ferrule, appropriate assembly with well managed fiber is required.

1	Ferrule	Plastic	1
No.	Description	Material	Q'ty

TITLE
MT12 SM plus Pre-Angled Ferrule