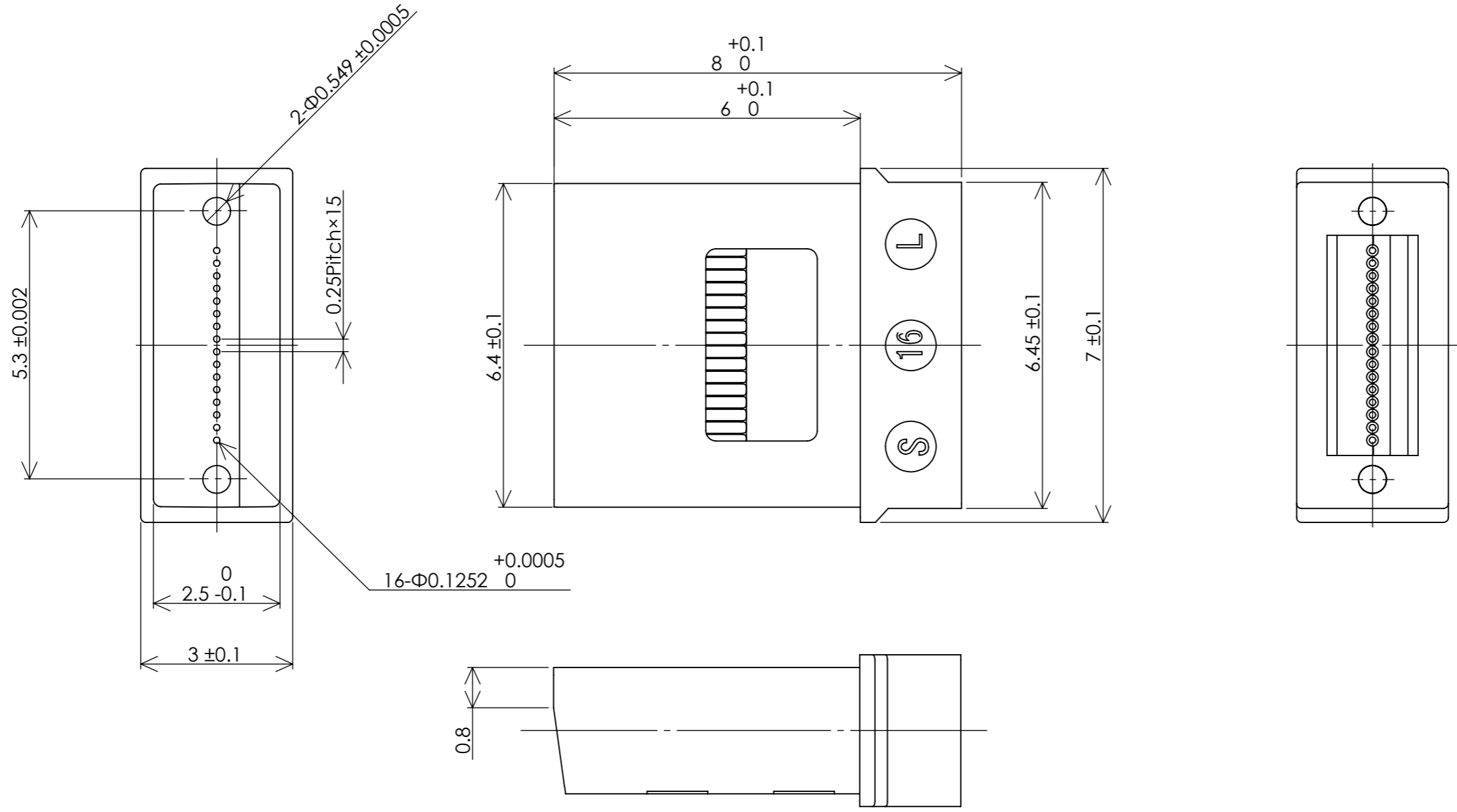


SUBJECT TO MINOR CHANGE WITHOUT AFFECTING THE PERFORMANCE OF THE ITEM

REF.NO. OPC 21007C



Note:  
 For proper performance of MT ferrule, appropriate assembly with well managed fiber is required.  
 Guide pins should have a diameter of  $0.5485 \pm 0.0001$  mm for proper performance.

Unit:mm  
 Not to scale

1	Ferrule	Plastic	1
No.	Descript	Material	Q'ty

TITLE

MT16 SM LL-B Pre-Angled Ferrule